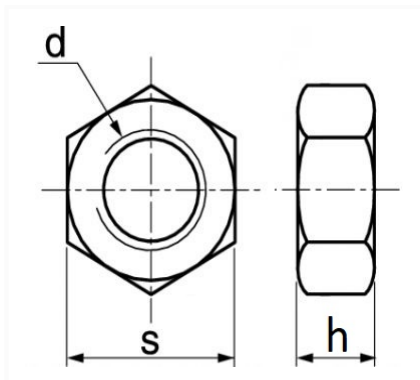


1 Allée des Bouleaux -F-95110 SANNOIS  
 +33 (0)1 39 98 55 00  
 info@restagraf.com

**GRADE 10 HEXAGON NUT M16-1.50 DIN 934**



Item code	Number of References	Number of pieces	Conditioning
40438	1	20	BOX



Technical informations	
s	24 mm
h	13 mm
d	M16 x 1.50

Materials
CLASS 10 STEEL