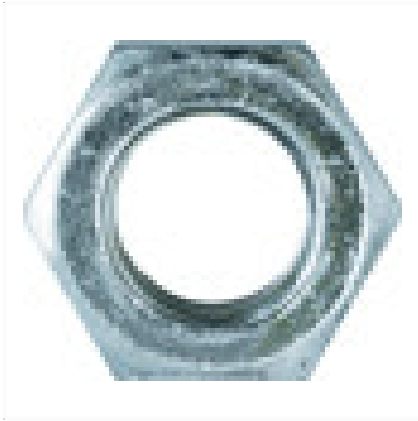


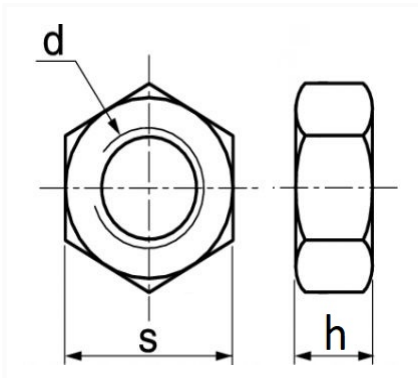


1 Allée des Bouleaux -F-95110 SANNOIS
 +33 (0)1 39 98 55 00
 info@restagraf.com

GRADE 8 HEXAGON NUT M12-1.25 DIN 934



Item code	Number of References	Number of pieces	Conditioning
40436	1	50	BOX



Technical informations	
s	19 mm
h	10 mm
d	M12 x 1.25

Materials
CLASS 8 STEEL