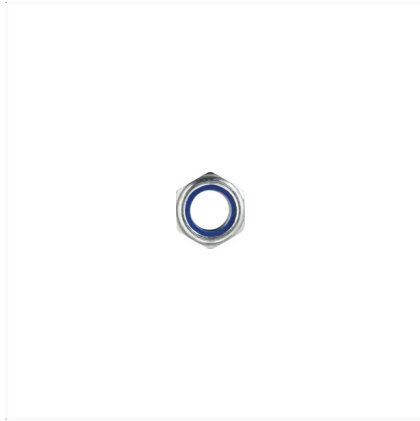
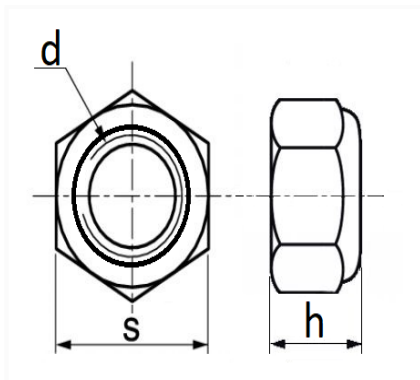


1 Allée des Bouleaux -F-95110 SANNOIS
 +33 (0)1 39 98 55 00
 info@restagraf.com

GRADE 10 SELF LOCKING NUT WITH NYLON INSERT M18-2.50 DIN 982



Item code	Number of References	Number of pieces	Conditioning
40428	1	20	BOX



Technical informations	
s	27 mm
h	20 mm
d	M18 x 2.50

Materials
CLASS 10 STEEL