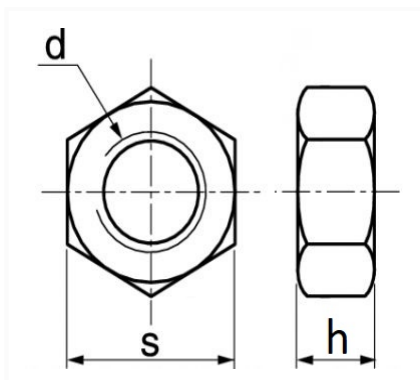


1 Allée des Bouleaux -F-95110 SANNOIS  
 +33 (0)1 39 98 55 00  
 info@restagraf.com

SECHSKANTMUTTER 10 M20-2.50 DIN 934



Item code	Number of References	Number of pieces	Conditioning
40410	1	20	BEHÄLTER



Technical informations	
s	30 mm
h	16 mm
d	M20 x 2.50

Materials
STAHL 10