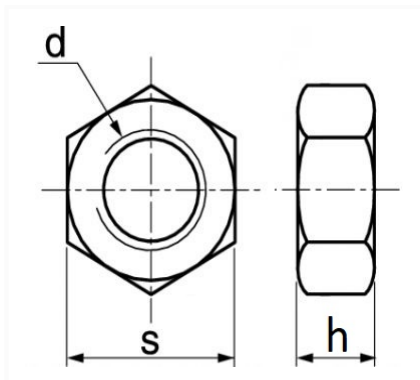


1 Allée des Bouleaux -F-95110 SANNOIS
 +33 (0)1 39 98 55 00
 info@restagraf.com

ZESKANTMOER CL10 M16-2.00 DIN 934



Item code	Number of References	Number of pieces	Conditioning
40408	1	20	



Technical informations	
s	24 mm
h	13 mm
d	M16 x 2.00

Materials
STAAL KLASSE 10