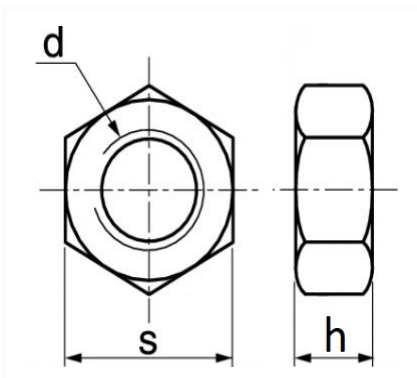


1 Allée des Bouleaux -F-95110 SANNOIS
 +33 (0)1 39 98 55 00
 info@restagraf.com

SECHSKANTMUTTER 8 M12-1.75 DIN 934



Item code	Number of References	Number of pieces	Conditioning
40406	1	50	BEHÄLTER
816	1	20	BEUTEL



Technical informations	
s	18 mm
h	10.5 mm
d	M12 x 1.75

Materials

STAHL 8