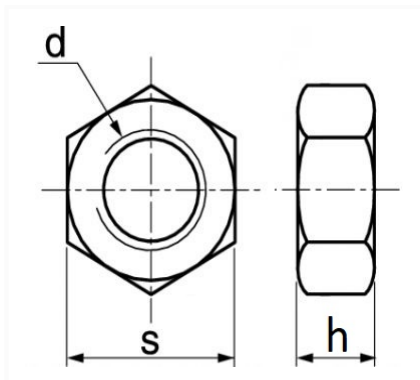


1 Allée des Bouleaux -F-95110 SANNOIS
 +33 (0)1 39 98 55 00
 info@restagraf.com

SECHSKANTMUTTER 8 M7-1.00 DIN 934



Item code	Number of References	Number of pieces	Conditioning
40403	1	150	BEHÄLTER
813	1	60	BEUTEL



Technical informations	
s	11 mm
h	5.5 mm
d	M7 x 1.00

Materials
STAHL 8

Manufacturer correspondence*			
PEUGEOT / CITROËN	693205	RENAULT	7903032012

* Non contractual information given as indication