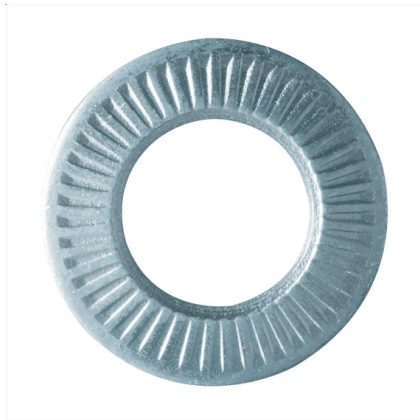
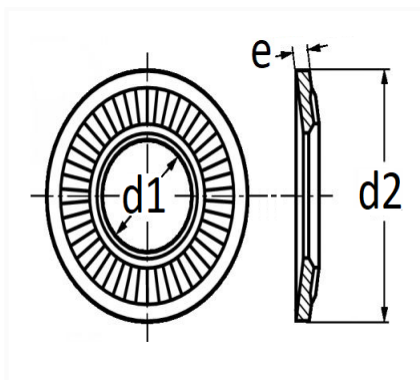


1 Allée des Bouleaux -F-95110 SANNOIS  
 +33 (0)1 39 98 55 00  
 info@restagraf.com

**CONTACT LOCK WASHER Ø 20 X 40 mm NF E25-511**



Item code	Number of References	Number of pieces	Conditioning
40368	1	50	BOX



Technical informations	
d1	20.5 mm
d2	40 mm
e	3.2 mm

Materials
XC68 STEEL