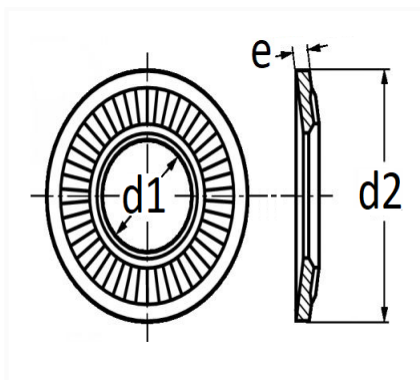


1 Allée des Bouleaux -F-95110 SANNOIS  
 +33 (0)1 39 98 55 00  
 info@restagraf.com

KONTAKTSCHIEBE Ø 7 X 14 mm NF E25-511



Item code	Number of References	Number of pieces	Conditioning
40357	1	150	BEHÄLTER
590	1	70	BEUTEL



Technical informations	
d1	7.2 mm
d2	14 mm
e	1.4 mm

Materials
STAHL XC68