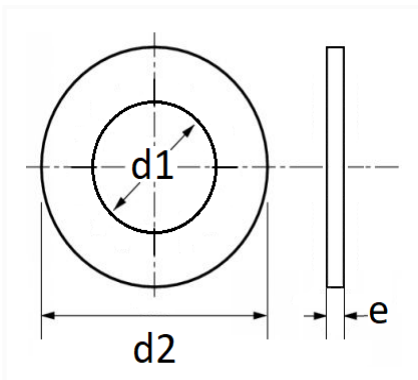


1 Allée des Bouleaux -F-95110 SANNOIS  
 +33 (0)1 39 98 55 00  
 info@restagraf.com

SCHEIBE FLACH Ø 8 X 16 X 1,5 mm



Item code	Number of References	Number of pieces	Conditioning
40319	1	200	BEHÄLTER
582	1	65	BEUTEL



Technical informations	
d1	8.4 mm
d2	16 mm
e	1.5 mm

Materials
STAHL

Manufacturer correspondence*			
PEUGEOT / CITROËN	694613	RENAULT	7903053043

\* Non contractual information given as indication