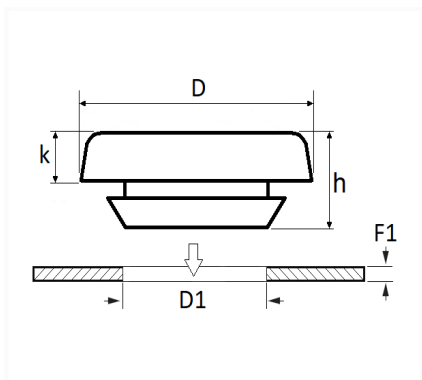


1 Allée des Bouleaux -F-95110 SANNOIS  
 +33 (0)1 39 98 55 00  
 info@restagraf.com

**BLINDSTOPFEN Ø 10 mm**



Item code	Number of References	Number of pieces	Conditioning
738	1	35	BEUTEL



Technical informations	
D	17 mm
k	3 mm
h	7 mm
D1	10 mm
F1	0.5 → 1.5 mm

Materials
LD-POLYETHYLEN

Manufacturer correspondence*	
RENAULT	7703074138

\* Non contractual information given as indication