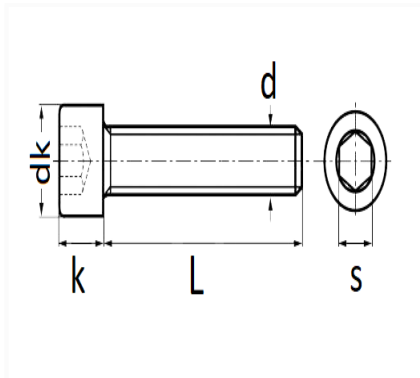


1 Allée des Bouleaux -F-95110 SANNOIS
 +33 (0)1 39 98 55 00
 info@restagraf.com

**GRADE 8.8 BLACK ZINC PLATED HEXAGON SOCKET HEAD CAP SCREW
 M10-1.50 X 20 mm DIN 912**



Item code	Number of References	Number of pieces	Conditioning
40272	1	40	BOX



Technical informations	
dk	16 mm
k	10 mm
s	8 mm
L	20 mm
d	M10 x 1.50

Materials
CLASS 8.8 STEEL