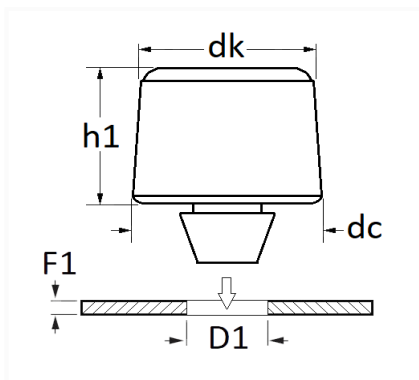


1 Allée des Bouleaux -F-95110 SANNOIS
 +33 (0)1 39 98 55 00
 info@restagraf.com

BONNET BUFFER H = 10 mm



Item code	Number of References	Number of pieces	Conditioning
733	1	20	BAG



Technical informations	
dk	16.5 mm
dc	20 mm
h1	10 mm
D1	7.5 mm
F1	0.5 → 0.7 mm

Materials
ELASTOMER

Manufacturer correspondence*	
RENAULT	7703088033

* Non contractual information given as indication