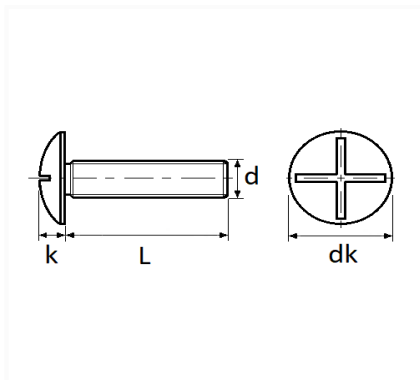


MASCHINENSCHRAUBE HALBRUNDKOPF KREUZSCHLITZ M4-0.70 X 20 mm NFE 25-129



Item code	Number of References	Number of pieces	Conditioning
40221	1	100	BEHÄLTER



Technical informations	
dk	9.5 mm
k	2.1 mm
L	20 mm
d	M4 x 0.70

Materials
STAHL 4.8