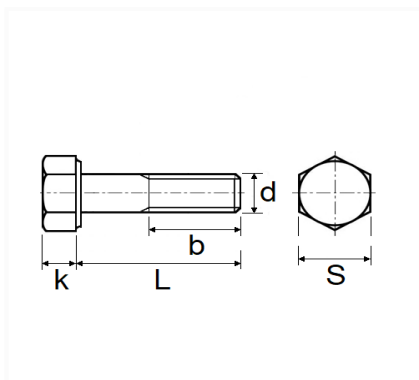


1 Allée des Bouleaux -F-95110 SANNOIS  
 +33 (0)1 39 98 55 00  
 info@restagraf.com

**GRADE 10.9 HEXAGON HEAD MACHINE SCREW M14-2.00 X 50 mm DIN 931  
 PARTIAL THREAD**



Item code	Number of References	Number of pieces	Conditioning
40145	1	20	BOX



Technical informations	
s	22 mm
k	8.8 mm
b	34 mm
L	50 mm
d	M14 x 2.00

Materials
CLASS 10.9 STEEL