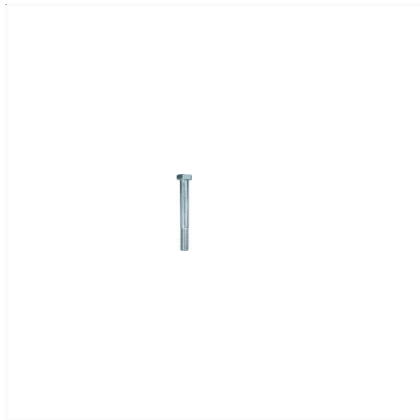
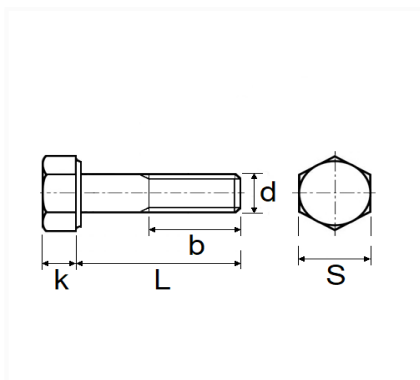


1 Allée des Bouleaux -F-95110 SANNOIS
 +33 (0)1 39 98 55 00
 info@restagraf.com

**GRADE 8.8 ZINC PLATED HEXAGON HEAD MACHINE SCREW M12-1.75 X 100 mm
 DIN 931 PARTIAL THREAD**



Item code	Number of References	Number of pieces	Conditioning
40140	1	10	BOX



Technical informations	
s	19 mm
k	7.5 mm
b	30 mm
L	100 mm
d	M12 x 1.75

Materials
CLASS 8.8 STEEL