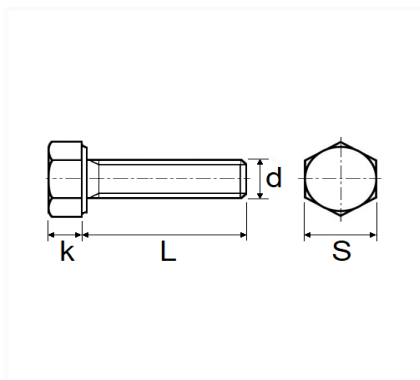


1 Allée des Bouleaux -F-95110 SANNOIS
 +33 (0)1 39 98 55 00
 info@restagraf.com

**GRADE 8.8 ZINC PLATED HEXAGON HEAD MACHINE SCREW M7-1.00 X 20 mm
 DIN 933**



Item code	Number of References	Number of pieces	Conditioning
40117	1	100	BOX
806	1	30	BAG



Technical informations	
s	11 mm
k	5 mm
L	20 mm
d	M7 x 1.00

Materials
CLASS 8.8 STEEL

Manufacturer correspondence*			
CITROËN	75516412	PEUGEOT / CITROËN	691536

Manufacturer correspondence*

RENAULT

7703001236

* Non contractual information given as indication
