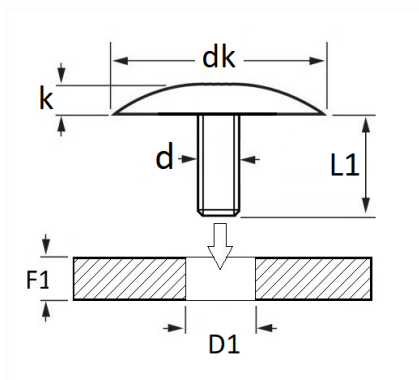


1 Allée des Bouleaux -F-95110 SANNOIS
 +33 (0)1 39 98 55 00
 info@restagraf.com

SCHRAUBBLINDSTOPFEN Ø 5 → 16 mm



Item code	Number of References	Number of pieces	Conditioning
1472	5	20	BEUTEL
228502	5	5	BLISTER



Technical informations	
dk	22 mm
k	4.5 mm
L1	14 mm
d	M5 x 0.80
D1	5 → 16 mm
F1	0.7 → 8 mm

Materials
STAHL