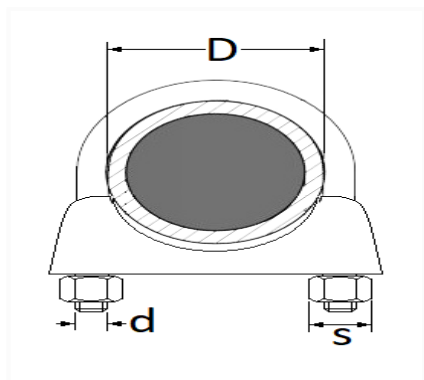


1 Allée des Bouleaux -F-95110 SANNOIS
 +33 (0)1 39 98 55 00
 info@restagraf.com

U-BOLT EXHAUST CLAMP Ø 60 mm



| Item code | Number of References | Number of pieces | Conditioning |
|-----------|----------------------|------------------|--------------|
| 17501 | 1 | 5 | BOX |
| 7501 | 1 | 1 | BAG |



| Technical informations | |
|------------------------|-----------|
| D | 60 mm |
| d | M8 x 1.25 |
| s | 13 mm |
| | |
| | |
| | |
| | |
| | |
| | |
| | |

| Materials |
|-----------|
| STEEL |