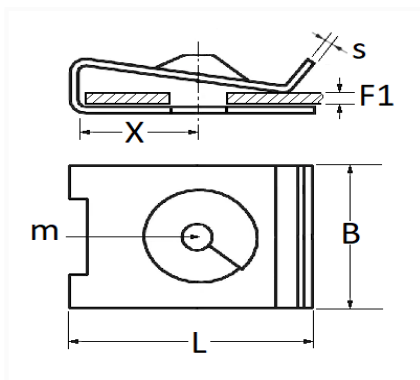


1 Allée des Bouleaux -F-95110 SANNOIS
 +33 (0)1 39 98 55 00
 info@restagraf.com

U-NUT CLIP Ø 4,2 mm BUMPER



Item code	Number of References	Number of pieces	Conditioning
12947	1	12	BAG



Technical informations	
L	17 mm
B	12.5 mm
X	8.5 mm
s	0.8 mm
F1	0.6 → 3.9 mm
m	Vis à Tôle Ø 4.2 mm

Materials
STEEL

Manufacturer correspondence*			
FORD Engineering number	W704823S439	FORD Finis	4764391

Manufacturer correspondence*

SUBSTITUTABLE FOR
OPEL

11515842

* Non contractual information given as indication
