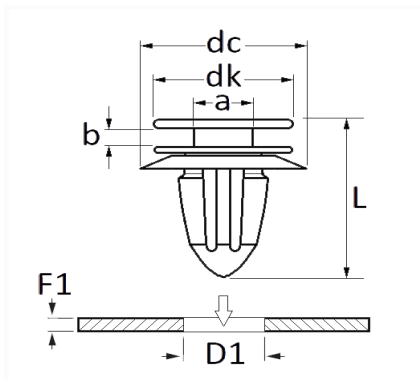


PLATTENCLIP Ø 8,5 mm TÜRVERKLEIDUNG



Item code	Number of References	Number of pieces	Conditioning
12910	1	10	BEUTEL



Technical informations	
dk	13 mm
dc	18 mm
b	2.6 mm
a	5.6 mm
L	20 mm
D1	8.5 mm
F1	0.7 → 1.6 mm

Materials
COPOLYMERES POLYACETAT

Manufacturer correspondence*			
PEUGEOT / CITROËN	1612454480	TOYOTA	624890E010

* Non contractual information given as indication