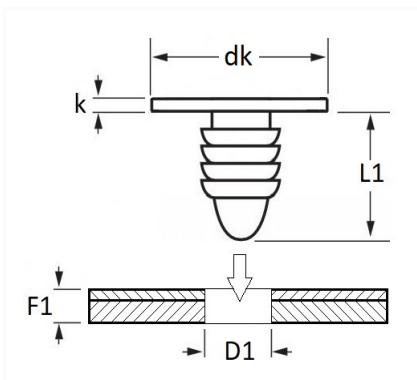


1 Allée des Bouleaux -F-95110 SANNOIS  
 +33 (0)1 39 98 55 00  
 info@restagraf.com

**WEATHERSTRIP CLIP Ø 5,2 mm DOOR ANTI-DUST**



Item code	Number of References	Number of pieces	Conditioning
12866	1	30	BAG



Technical informations	
dk	12 mm
k	2 mm
L1	6.5 mm
D1	5.2 mm
F1	2.3 → 2.9 mm

Materials
POLYAMIDE 6.6