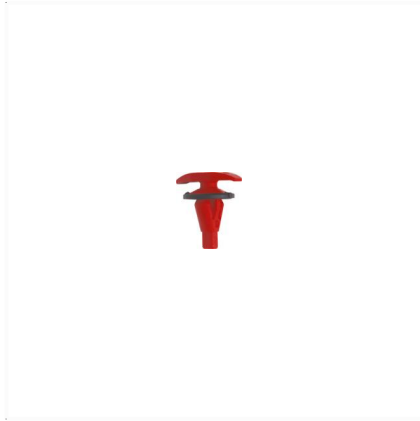
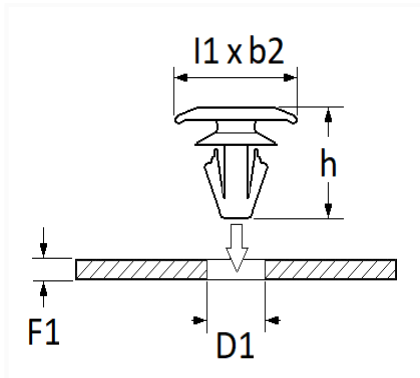


1 Allée des Bouleaux -F-95110 SANNOIS
 +33 (0)1 39 98 55 00
 info@restagraf.com

WEATHERSTRIP CLIP Ø 5,2 mm DOOR ANTI-DUST



Item code	Number of References	Number of pieces	Conditioning
12816	1	30	BAG



Technical informations	
l1	15 mm
b2	5 mm
h	14.8 mm
D1	5.2 mm
F1	0.65 → 1.4 mm

Materials
POLYACETAL & ELASTOMER