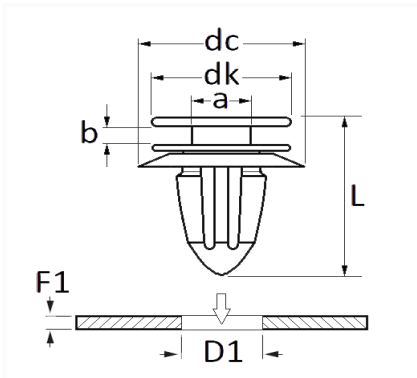


1 Allée des Bouleaux -F-95110 SANNOIS
 +33 (0)1 39 98 55 00
 info@restagraf.com

SELF-CENTRED PANEL CLIP Ø 8,2 mm



Item code	Number of References	Number of pieces	Conditioning
12778	1	12	BAG
42718	1	100	BOX
228119	1	4	BLISTER



Technical informations	
dk	22.4 mm
dc	18.9 mm
b	3 mm
a	4.9 mm
L	20 mm
D1	8.2 mm
F1	0.62 → 1.47 mm

Materials
POLYACETAL & ELASTOMER

Manufacturer correspondence*			
MITSUBISHI	MQ005725	OPEL Part number	3649910

Manufacturer correspondence*			
RENAULT	7703077502	SUBSTITUTABLE FOR CITROËN	9345ZN
SUBSTITUTABLE FOR DS	9345ZN	SUBSTITUTABLE FOR MERCEDES	A4159950283
SUBSTITUTABLE FOR NISSAN	8099900Q0A	SUBSTITUTABLE FOR OPEL	9345ZN
SUBSTITUTABLE FOR PEUGEOT	9345ZN	SUBSTITUTABLE FOR RENAULT	7703077476
TOYOTA	SU001A7482		

* Non contractual information given as indication
