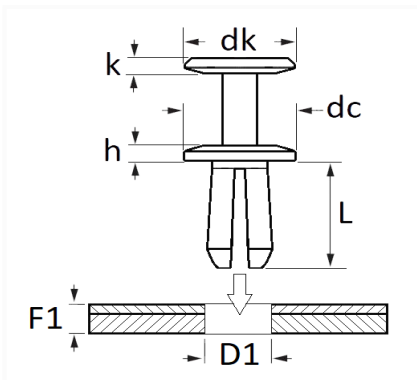


1 Allée des Bouleaux -F-95110 SANNOIS
 +33 (0)1 39 98 55 00
 info@restagraf.com

PLASTIC RIVET Ø 8,2 → 9 mm



Item code	Number of References	Number of pieces	Conditioning
12713	1	12	BAG
228174	1	4	BLISTER



Technical informations	
dk	11 mm
k	1.8 mm
dc	18.3 mm
h	2 mm
L	12.8 mm
D1	8 → 9 mm
F1	1.5 → 5 mm

Materials
POLYAMIDE 6

Manufacturer correspondence*			
FORD Engineering number	W705845S300	HYUNDAI	8659028000

Manufacturer correspondence*

KIA

8659028000

* Non contractual information given as indication
