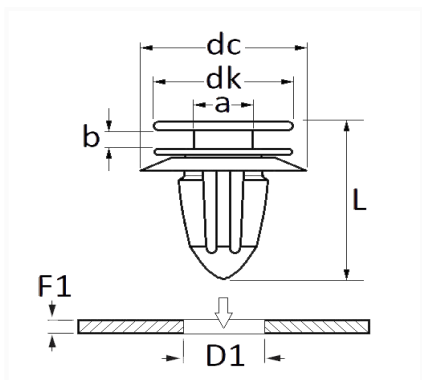


1 Allée des Bouleaux -F-95110 SANNOIS  
 +33 (0)1 39 98 55 00  
 info@restagraf.com

## PLATTENCLIP TÜRVERKLEIDUNG



Item code	Number of References	Number of pieces	Conditioning
12712	1	20	BEUTEL



Technical informations	
dk	13 mm
dc	18 mm
b	2.2 mm
a	5.4 mm
L	18.7 mm
D1	8.2 → 8.5 mm
F1	0.6 → 1.5 mm

<b>Materials</b>
COPOLYMERES POLYACETAT

<b>Manufacturer correspondence*</b>			
HYUNDAI	823152P000	KIA	823152P000

\* Non contractual information given as indication