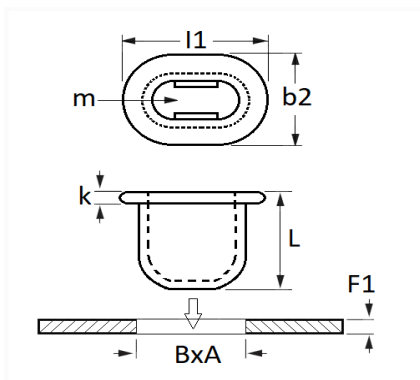


1 Allée des Bouleaux -F-95110 SANNOIS
 +33 (0)1 39 98 55 00
 info@restagraf.com

KUNSTSTOFFHÜLSE 8 X 12 mm KOTFLÜGEL



Item code	Number of References	Number of pieces	Conditioning
12691	1	8	BEUTEL



Technical informations	
l1	16 mm
b2	12 mm
k	1 mm
L	11.3 mm
m	Pion / Rotule Ø 5.2 mm
B	8 mm
A	12 mm
F1	0.7 → 1.2 mm

Materials
POLYAMID 6

Manufacturer correspondence*	
NISSAN	76848JG00B

* Non contractual information given as indication