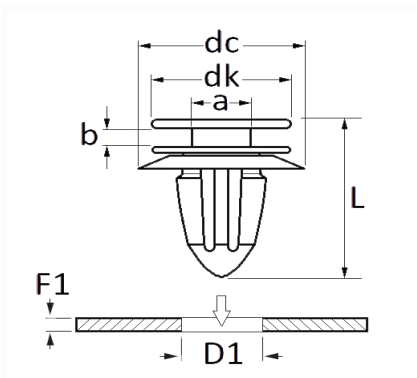


1 Allée des Bouleaux -F-95110 SANNOIS
 +33 (0)1 39 98 55 00
 info@restagraf.com

PANEELBEVESTIGINGSKLEM Ø 8 mm



Item code	Number of References	Number of pieces	Conditioning
12688	1	12	



Technical informations	
dk	13 mm
dc	18 mm
b	2.4 mm
a	5 mm
L	20.7 mm
D1	8 mm
F1	0.6 → 1.4 mm

Materials

POLYACETAAL COPOLYMEER

Manufacturer correspondence*

NISSAN

0155310621

* Non contractual information given as indication