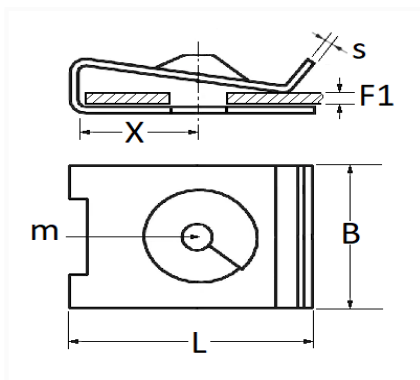


1 Allée des Bouleaux -F-95110 SANNOIS
 +33 (0)1 39 98 55 00
 info@restagraf.com

PLASTIC U-NUT Ø 5 mm WHEEL HOUSING COVER



Item code	Number of References	Number of pieces	Conditioning
12599	1	12	BAG



Technical informations	
L	20.5 mm
B	20 mm
X	8.5 mm
s	1 mm
F1	0.7 → 2.2 mm
m	Vis Matériaux Tendres Ø 5 mm

Materials
POLYAMIDE 6

Manufacturer correspondence*			
NISSAN	768820M000	RENAULT	768820M000

* Non contractual information given as indication