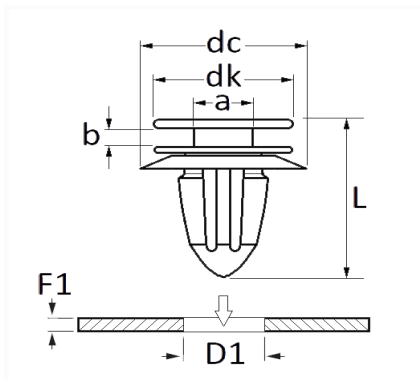


KLEM VOOR SIERLIJST Ø 8 mm PORTIER EN SPATBORDVERBREDER



Item code	Number of References	Number of pieces	Conditioning
12592	1	12	



Technical informations	
dk	13 mm
dc	18 mm
b	3 mm
a	4.5 mm
L	17.7 mm
D1	8 mm
F1	0.65 → 0.8 mm

Materials
POLYACETAAL COPOLYMEER

Manufacturer correspondence*	
NISSAN	01553JD01B

* Non contractual information given as indication