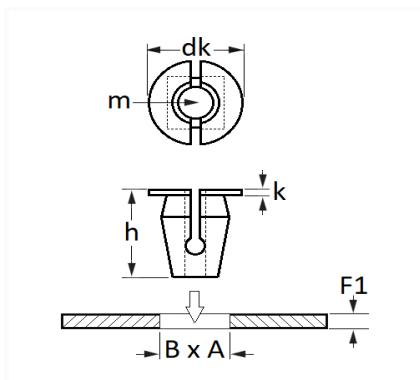


1 Allée des Bouleaux -F-95110 SANNOIS  
 +33 (0)1 39 98 55 00  
 info@restagraf.com

## KUNSTSTOFFMUTTER Ø 8 mm FRONT-/HECKWAND/STOßFÄNGER



Item code	Number of References	Number of pieces	Conditioning
12588	1	12	BEUTEL



Technical informations	
dk	16 mm
k	1 mm
h	11 mm
m	Vis Matériaux Tendres Ø 6 mm
B	10 mm
A	10 mm
F1	0.7 → 1 mm

<b>Materials</b>
POLYAMID 6

<b>Manufacturer correspondence*</b>			
NISSAN	0128100111	RENAULT	J128100111

\* Non contractual information given as indication