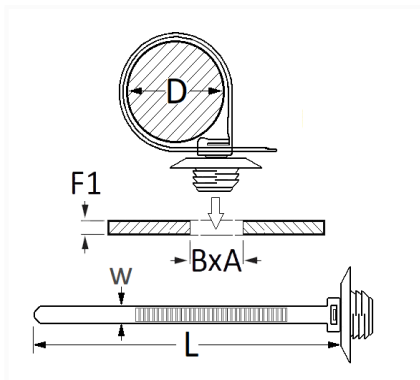


1 Allée des Bouleaux -F-95110 SANNOIS
 +33 (0)1 39 98 55 00
 info@restagraf.com

ARROWHEAD PLASTIC CABLE TIE 164 X 7 mm 7 X 12 mm OB



Item code	Number of References	Number of pieces	Conditioning
12545	1	10	BAG



Technical informations	
L	164 mm
W	7 mm
D	1.6 → 38 mm
B	12 mm
A	7 mm
F1	0.6 → 3.2 mm

Materials
POLYPROPYLENE

Manufacturer correspondence*	
NISSAN	24225C990A

* Non contractual information given as indication