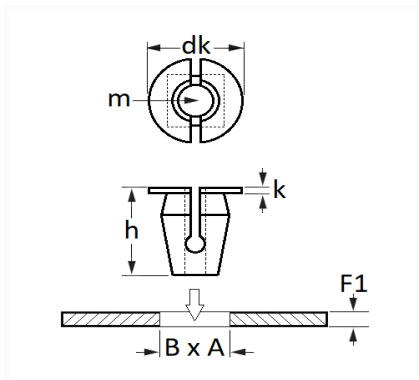


KUNSTSTOF MOER Ø 5 mm WIELBEHUIZING / SPATLAP



Item code	Number of References	Number of pieces	Conditioning
12542	1	12	



Technical informations	
dk	16 mm
k	1 mm
h	11 mm
m	Vis Matériaux Tendres Ø 5 mm
B	8.5 mm
A	8.5 mm
F1	0.65 → 1.5 mm

<b>Materials</b>
POLYAMIDE 6

<b>Manufacturer correspondence*</b>	
NISSAN	0128100831

\* Non contractual information given as indication