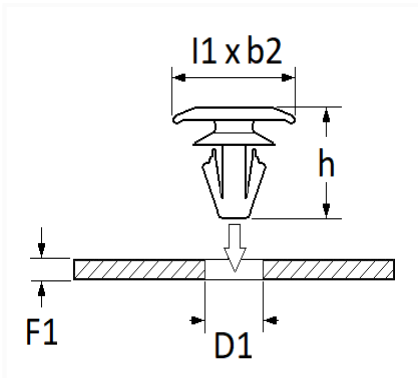


1 Allée des Bouleaux -F-95110 SANNOIS
 +33 (0)1 39 98 55 00
 info@restagraf.com

WEATHERSTRIP CLIP Ø 4,8 → 5,2 mm BONNET ANTI-DUST



Item code	Number of References	Number of pieces	Conditioning
12531	1	20	BAG



Technical informations	
l1	16 mm
b2	6.5 mm
h	16.5 mm
D1	4.8 → 5.2 mm
F1	0.7 → 1.6 mm

Materials
POLYACETAL COPOLYMER

Manufacturer correspondence*	
NISSAN	65810K2009

* Non contractual information given as indication