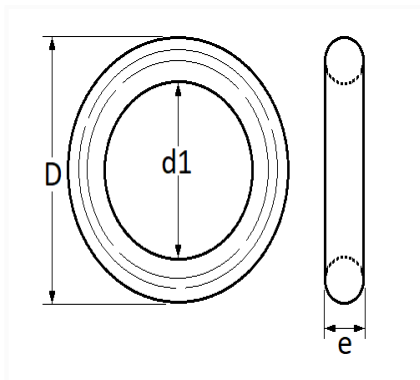


1 Allée des Bouleaux -F-95110 SANNOIS
 +33 (0)1 39 98 55 00
 info@restagraf.com

SILENTBLOC AUSPUFF Ø 44 mm



Item code	Number of References	Number of pieces	Conditioning
12517	1	10	BEHÄLTER
2517	1	2	BEUTEL



Technical informations	
D	68 mm
d1	44 mm
e	13 mm

Materials
ETHYLEN-PROPYLEN-DIEN-MONO.

Manufacturer correspondence*			
FIAT	4387294	FORD Werksnummer	70EB8281AA

Manufacturer correspondence*

OPEL (GM) Katalognummer	852707	RENAULT	7700630740
----------------------------	--------	---------	------------

* Non contractual information given as indication
