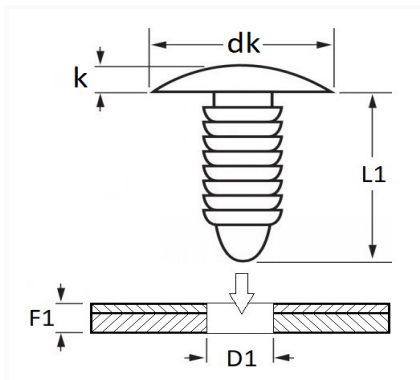


1 Allée des Bouleaux -F-95110 SANNOIS
 +33 (0)1 39 98 55 00
 info@restagraf.com

VERKLEIDUNGSClip Ø 4,75 mm SEITENWANDVERKLEIDUNG



Item code	Number of References	Number of pieces	Conditioning
12388	1	12	BEUTEL



Technical informations	
dk	11.09 mm
k	1.74 mm
L1	12.16 mm
D1	4.75 mm
F1	0.76 → 6.68 mm

Materials
POLYAMID 66

Manufacturer correspondence*			
B.M.W	51357019030	FORD Finis	W705635S300

Manufacturer correspondence*

FORD Werksnummer	W705635S300	MERCEDES-BENZ	A0029973386
------------------	-------------	---------------	-------------

* Non contractual information given as indication
