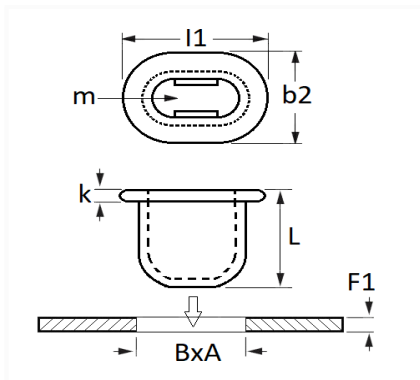


1 Allée des Bouleaux -F-95110 SANNOIS  
 +33 (0)1 39 98 55 00  
 info@restagraf.com

## PLASTIC GROMMET FENDER FLARES



Item code	Number of References	Number of pieces	Conditioning
12380	1	12	BAG



Technical informations	
l1	18 mm
b2	14 mm
k	2 mm
L	16 mm
m	Pion / Rotule Ø 5.2 mm
B	8 mm
A	12 mm
F1	0.8 mm

<b>Materials</b>
POLYAMIDE 6

<b>Manufacturer correspondence*</b>	
NISSAN	0155302923

\* Non contractual information given as indication