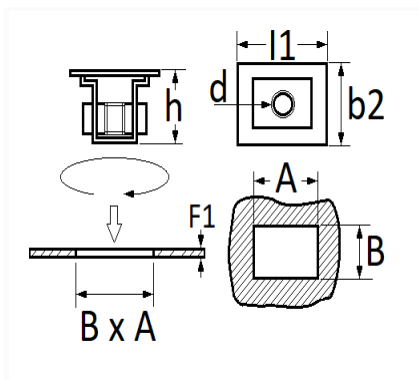


1 Allée des Bouleaux -F-95110 SANNOIS
 +33 (0)1 39 98 55 00
 info@restagraf.com

NYLON CAGE NUT M6-1.00



Item code	Number of References	Number of pieces	Conditioning
12295	1	4	BAG



Technical informations	
l1	20 mm
b2	20 mm
h	15.6 mm
d	M6 x 1.00
B	10.2 mm
A	16.2 mm
F1	0.7 → 2.5 mm

Materials
POLYAMIDE

Manufacturer correspondence*			
DS Automobiles	1611385180	OPEL (Stellantis)	1611385180

Manufacturer correspondence*			
OPEL (Stellantis)	3636999	PEUGEOT / CITROËN	1611385180
PEUGEOT / CITROËN	693827	RENAULT	7703044162
RENAULT	7703044205		

* Non contractual information given as indication
