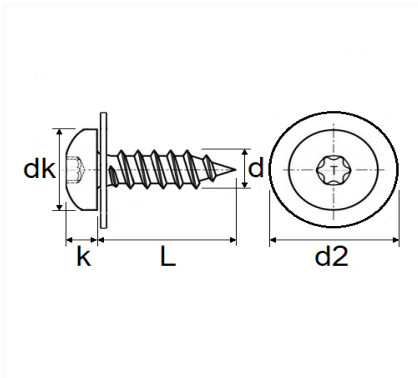


SCHRAUBE INNENRAUMVERKLEIDUNG Ø 6 X 19,5 mm MOTORSCHUTZHAUBE



Item code	Number of References	Number of pieces	Conditioning
12243	1	10	BEUTEL



Technical informations	
dk	11.7 mm
k	4 mm
L	19.5 mm
d	6 mm
d2	20 mm
T	X30

Manufacturer correspondence*			
ERSETZBAR FÜR FORD	1382031	FORD Finis	1099492
FORD Finis	1827320	FORD Finis	1836503
FORD Werksnummer	W700843S306	FORD Werksnummer	W716890S442
FORD Werksnummer	W716890S450B		

* Non contractual information given as indication