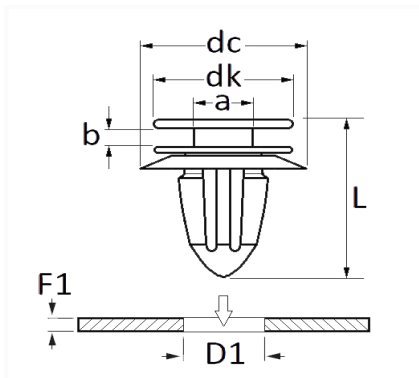


1 Allée des Bouleaux -F-95110 SANNOIS
 +33 (0)1 39 98 55 00
 info@restagraf.com

KLEM VOOR SIERLIJST Ø 8,4 mm FRAMESTIJL



Item code	Number of References	Number of pieces	Conditioning
11973	1	8	
42703	1	100	



Technical informations	
dk	13 mm
dc	17.4 mm
b	3 mm
a	4.5 mm
L	20.1 mm
D1	8.4 mm
F1	0.8 mm

Materials

POLYACETAAL EN ELASTOMEER

Manufacturer correspondence*

PEUGEOT / CITROËN

856564

* Non contractual information given as indication