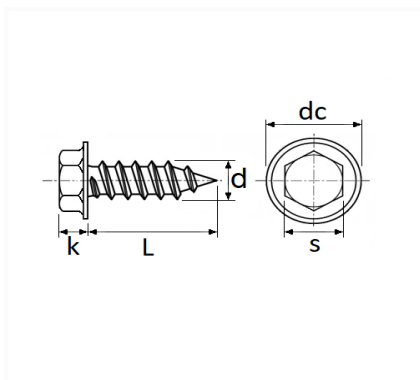


1 Allée des Bouleaux -F-95110 SANNOIS  
 +33 (0)1 39 98 55 00  
 info@restagraf.com

**SOFT MATERIAL SCREW Ø 6 X 17,5 mm BODYWORK**



Item code	Number of References	Number of pieces	Conditioning
11825	1	12	BAG



Technical informations	
s	8 mm
k	4.5 mm
dc	14.5 mm
L	17.5 mm
d	6 mm

Manufacturer correspondence*			
ALTERNATIVE TO NISSAN	01456S608E	NISSAN	0111100Q0F
NISSAN	0112500QAG	RENAULT	7703017087
RENAULT	7703017104		

\* Non contractual information given as indication