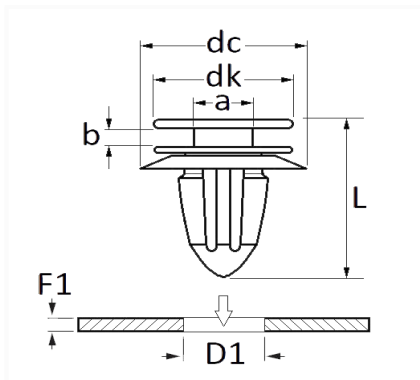


1 Allée des Bouleaux -F-95110 SANNOIS
 +33 (0)1 39 98 55 00
 info@restagraf.com

PLATTENCLIP Ø 8,2 mm



Item code	Number of References	Number of pieces	Conditioning
11811	1	12	BEUTEL
42614	1	100	BEHÄLTER
228086	1	5	BLISTER



Technical informations	
dk	13 mm
dc	18.5 mm
b	2.9 mm
a	4.5 mm
L	19.5 mm
D1	8.2 mm
F1	0.7 → 1.5 mm

Materials
COPOLYMERES POLYACETAT

Manufacturer correspondence*			
DS Automobiles	6991Z1	ERSETZBAR FÜR VOLVO	30648141

Manufacturer correspondence*			
MINI	51139804996	OPEL (Stellantis)	6991Z1
PEUGEOT / CITROËN	6991Z1	PEUGEOT / CITROËN	8337FC
RENAULT	8200909084		

* Non contractual information given as indication
