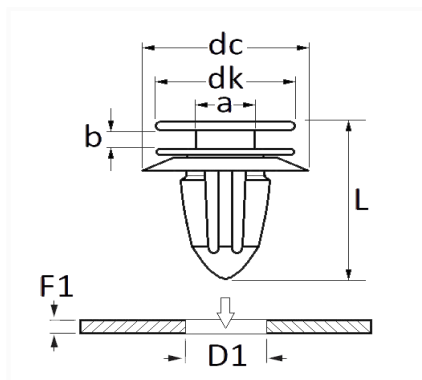


1 Allée des Bouleaux -F-95110 SANNOIS  
 +33 (0)1 39 98 55 00  
 info@restagraf.com

**MOULDING CLIP Ø 8,2 mm BODY SHELL BELTLINE**



Item code	Number of References	Number of pieces	Conditioning
11802	1	12	BAG



Technical informations	
dk	8 mm
dc	17.7 mm
b	2.15 mm
a	5 mm
L	12.5 mm
D1	8.2 mm
F1	0.77 mm

<b>Materials</b>
POLYACETAL COPOLYMER

Manufacturer correspondence*			
PEUGEOT / CITROËN	856562	SUBSTITUTABLE FOR PEUGEOT	1613487180

\* Non contractual information given as indication