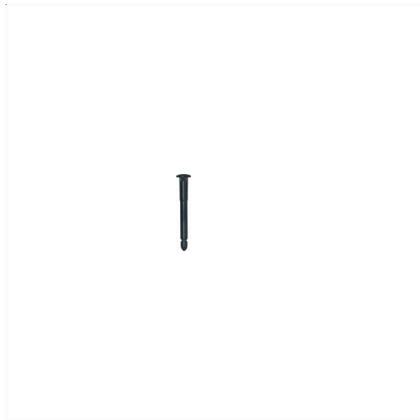
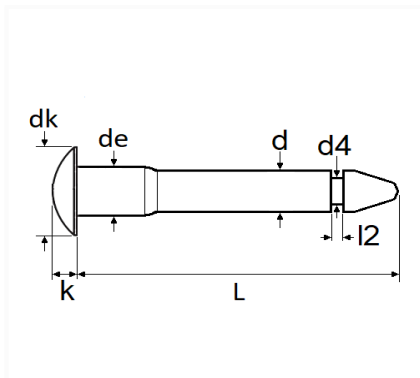


1 Allée des Bouleaux -F-95110 SANNOIS
 +33 (0)1 39 98 55 00
 info@restagraf.com

TÜRSCHARNIERACHSEN



Item code	Number of References	Number of pieces	Conditioning
11800	1	2	BEUTEL



Technical informations	
dk	14 mm
k	3.1 mm
L	73.6 mm
de	8 mm
d	7 mm
d4	4.7 mm
l2	1.8 mm

Materials

Manufacturer correspondence*	
PEUGEOT / CITROËN	904460

* Non contractual information given as indication