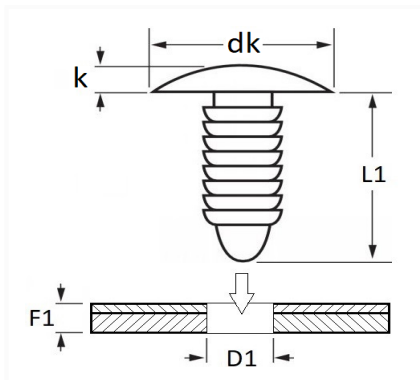


VERKLEIDUNGSCLIP



Item code	Number of References	Number of pieces	Conditioning
11759	1	15	BEUTEL



Technical informations	
dk	13 mm
k	1.8 mm
L1	18.2 mm
D1	6 mm
F1	2 → 8.5 mm

Materials
POLYAMID 6

Manufacturer correspondence*	
HONDA	906666890030

* Non contractual information given as indication