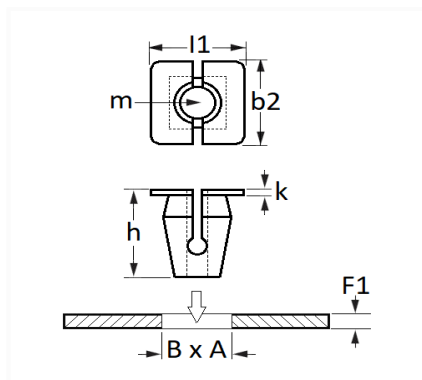


## PLASTIC MOER BINNENBEKLEDING



Item code	Number of References	Number of pieces	Conditioning
11752	1	15	



Technical informations	
l1	9.5 mm
b2	9.5 mm
k	0.8 mm
h	8 mm
m	Vis Matériaux Tendres Ø 4.5 mm
B	7 mm
A	7 mm
F1	0.7 → 1 mm

Materials
NYLON

Manufacturer correspondence*			
HONDA	75522611000	HONDA	755226110000

Manufacturer correspondence\*

MAZDA	999100412	NISSAN	96706B0700
-------	-----------	--------	------------

\* Non contractual information given as indication

---