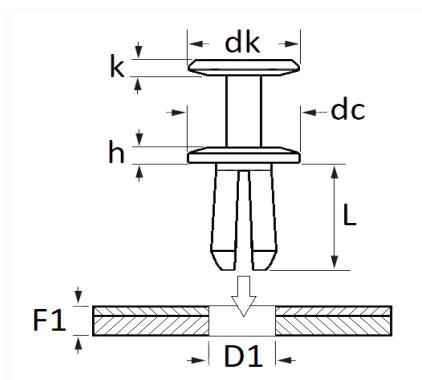


1 Allée des Bouleaux -F-95110 SANNOIS
 +33 (0)1 39 98 55 00
 info@restagraf.com

KUNSTSTOFFNIET Ø 6,25 mm



Item code	Number of References	Number of pieces	Conditioning
11622	1	8	BEUTEL
42696	1	100	BEHÄLTER



Technical informations	
dk	13 mm
k	2 mm
dc	17 mm
h	2.5 mm
L	16.3 mm
D1	6.25 mm
F1	5 → 7 mm

Materials
POLYAMID 66

Manufacturer correspondence*			
FORD Finis	4605824	FORD Werksnummer	W709176S300

* Non contractual information given as indication