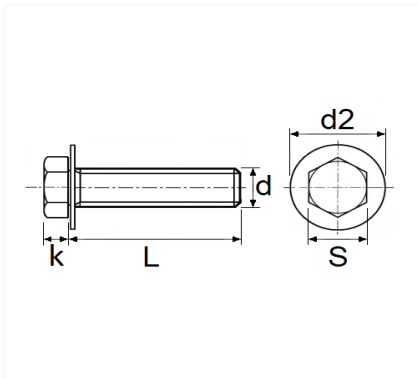


1 Allée des Bouleaux -F-95110 SANNOIS
 +33 (0)1 39 98 55 00
 info@restagraf.com

**BLACK ZINC PLATED HEXAGON BOLT WITH WASHER M6-1.00 X 25 mm
 BODYWORK**



Item code	Number of References	Number of pieces	Conditioning
11581	1	10	BAG
42726	1	50	BOX



Technical informations	
s	10 mm
k	4 mm
d2	18 mm
L	25 mm
d	M6 x 1.00

Materials
XC60 STEEL

Manufacturer correspondence*			
OPEL (Stellantis)	6922H3	PEUGEOT / CITROËN	6922H3

* Non contractual information given as indication