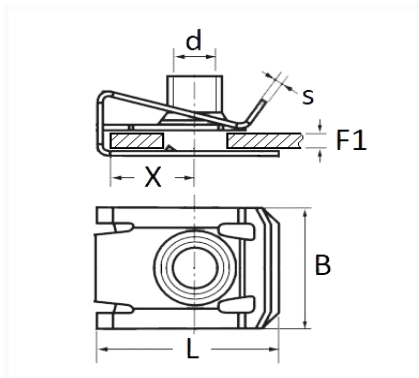


1 Allée des Bouleaux -F-95110 SANNOIS
 +33 (0)1 39 98 55 00
 info@restagraf.com

U-NUT CLIP M6-1.00



Item code	Number of References	Number of pieces	Conditioning
11575	1	20	BAG



Technical informations	
L	24 mm
B	17 mm
X	11.7 mm
s	0.7 mm
d	M6 x 1.00
F1	0.5 → 4 mm

Materials

Manufacturer correspondence*			
CITROËN	694386	OPEL (Stellantis)	694386

Manufacturer correspondence*			
PEUGEOT	694386	RENAULT	5003046007
RENAULT	6025301878	RENAULT	6025372694
RENAULT	7703046102		

* Non contractual information given as indication
