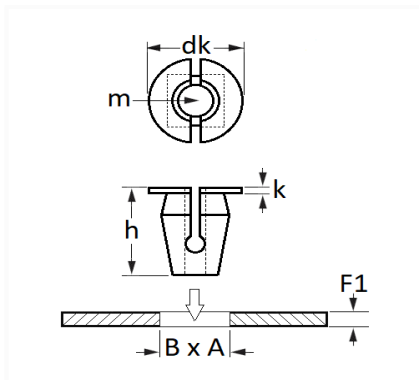


1 Allée des Bouleaux -F-95110 SANNOIS
 +33 (0)1 39 98 55 00
 info@restagraf.com

KUNSTSTOFFMUTTER Ø 5 mm INNEN- UND AUßENVERKLEIDUNG



Item code	Number of References	Number of pieces	Conditioning
11486	1	8	BEUTEL



Technical informations	
dk	20 mm
k	2.8 mm
h	17.2 mm
m	Vis Matériaux Tendres Ø 5 mm
B	10 mm
A	10 mm
F1	0.5 → 1.5 mm

Materials
POLYAMID UND ELASTOMER

Manufacturer correspondence*			
CUPRA	N10621301	FORD Finis	1725489

Manufacturer correspondence*

FORD Werksnummer	BM5117K657CA	SEAT	N10621301
VOLKSWAGEN	N10621301		

* Non contractual information given as indication
